

WISENET

Instructions for Repainting

Bullet Camera



Contents

| | |
|-----------------------------|----|
| Precautions | 3 |
| Tools Needed | 4 |
| Names of Camera Parts | 5 |
| Preparing to paint | 6 |
| How to paint..... | 10 |
| Assembly..... | 13 |
| Completion..... | 14 |

Precautions

This document provides general instructions on repainting Hanwha Vision's Bullet Cameras. If you want to change their appearance, you should first understand the content of this document.



Please note that Hanwha Vision is not responsible for any problems caused by repainting.

Do not disassembly on your own without reading these instructions. If you do not follow these camera disassembly instructions, your camera could lose its waterproof capability.

Sections where you see any of the following symbols require special attention.



The risk is somewhat higher than usual.



Proper precautions for hazardous chemicals must be taken when working.



Important

If there is a 'Important' notation, apply additional caution when working.

Tools Needed

Prepare the tools needed for your work, referring to the table and images below.

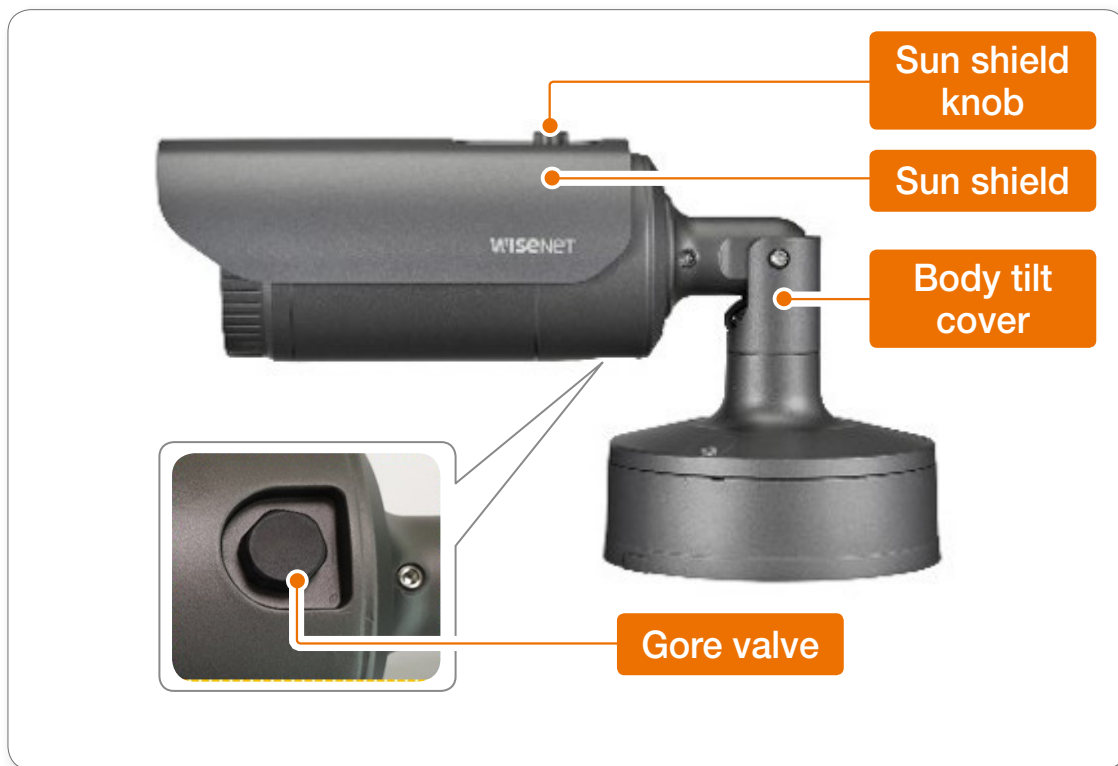
Table of tools needed

| Tool name | Image | Tool name | Image |
|---------------|---|--------------------|--|
| Paper |  | Hex key |  |
| Pen or pencil |  | Protective goggles |  |
| Masking tape |  | Cleaning cloth |  |
| Scissors |  | Protective gloves |  |
| Cutter |  | Dust mask |  |

<Fig. 1. Table of tools>

Names of Camera Parts

The names of each part of the camera are as shown below.



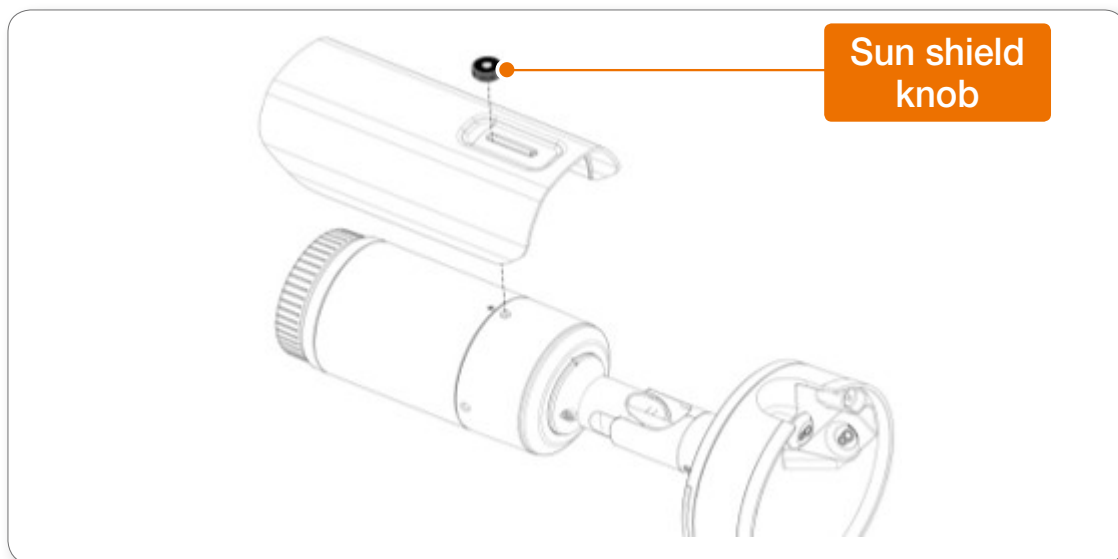
<Fig. 2. Names of Camera Parts>

Preparing to paint

Disassembling the sun shield

1. Disassembling the sun shield

- ✓ Turn the sun shield knob counterclockwise to remove the sun shield.



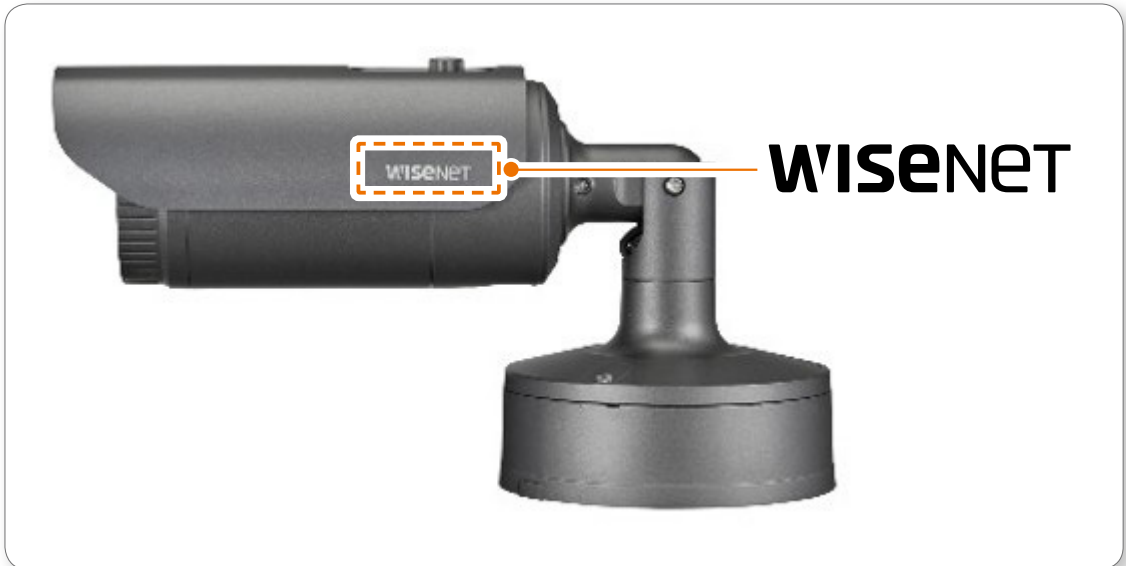
<Fig. 3. Disassembling the sun shield>



Repaint after removing only the sun shield while leaving the rest of them as they are. Do not disassembly the body. If you detach the body, your camera might lose its waterproof capability.

Preparing to paint

2. The brand logo will be covered when you paint.
※ Please note that separate logo stickers are not provided.



<Fig. 4. Brand logo>

3. Before painting, peel off the serial number sticker from the body. After painting, the sticker should be attached to the body again.



If the sticker is damaged or lost, you might not be able to get any support from us. Therefore, make sure the sticker is not switched with another.

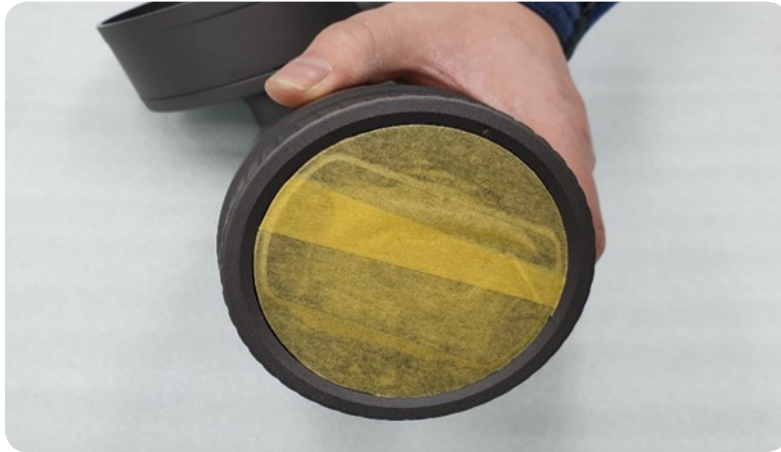


<Fig. 5. Serial number sticker>

Preparing to paint

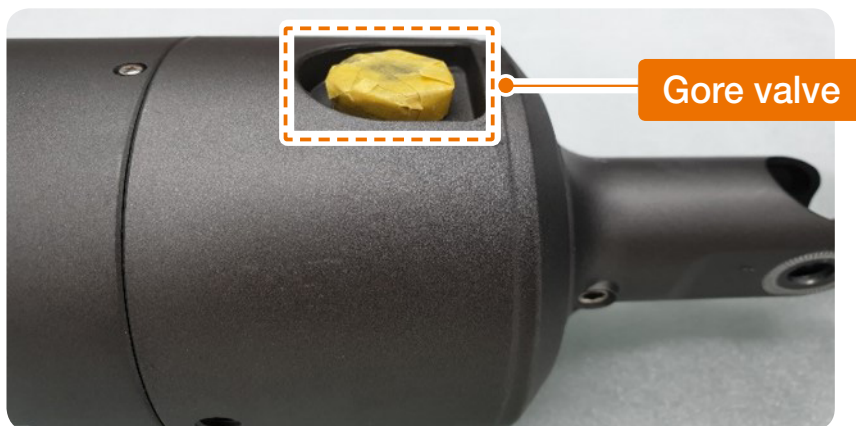
Masking

1. Make sure to mask the camera lens window. Any foreign substances on the window might affect the video quality.



<Fig. 6. Window masked>

2. Since there is an air circulation hole on the side of the gore valve, mask the whole gore valve and then begin painting. If the hole gets blocked, the internal moisture might critically affect the camera.



<Fig. 7. Gore valve masked>

Preparing to paint

3. Mask the front interior of the sun shield and then begin painting.



That part is painted in black to prevent diffused reflection. If it is colored differently, the screen might suffer from diffused reflection.



<Fig. 8. Sun shield interior masked>

How to paint



It is recommended to use a professional painting company with all the necessary equipment and tools.



Paints most appropriate for the materials should be used for all painting applications. Paint can cause irritation to the skin or respiratory system because it contains harmful substances. It should never be swallowed.

Be careful not to let the paint touch your eyes or skin. Wear suitable protective clothing, gloves, and face shield.



For painting, you should choose a clean, well-ventilated place.

Painting

1. In the case of metal surfaces, paint with primer first for better paint adhesion. If your new paint color is brighter than the current color, a white primer is recommended.



<Fig. 9. Primer painted>

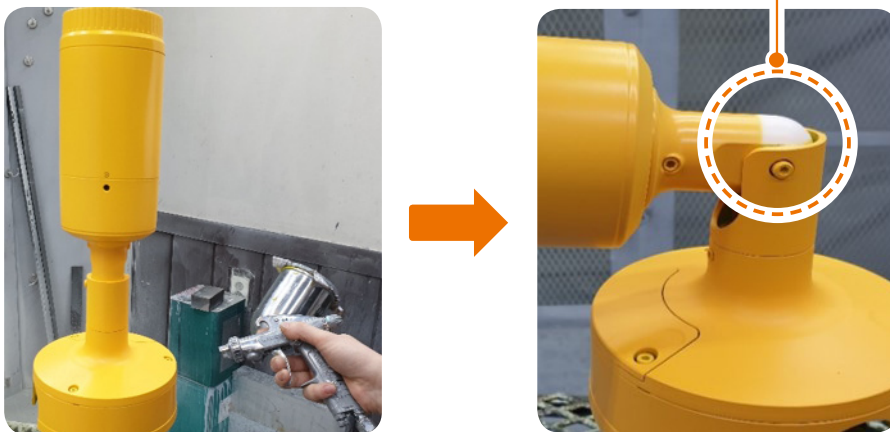
How to paint

2. Paint it once and wait until it is completely dried. Then, paint it once more (Two times recommended).



<Fig. 10. First painting>

3. For the second painting, make the body stand straight up and paint it. Then, fold the body to paint any unpainted area.



<Fig. 11. Second painting>

How to paint

4. After finishing the painting, completely dry the surface for better paint adhesion.



That part is painted in black to prevent diffused reflection. If it is colored differently, the screen might suffer from diffused reflection.



<Fig. 12. Drying chamber>

5. When paint is completely dry, remove the masking tape.



<Fig. 13. Masking tape removed>

Assembly

1. Attach the serial number sticker again.



If the sticker is not the original one that was attached at the time of the factory release, you might not be able to get any support from us. Make sure the sticker is not switched with another.



<Fig. 14. Sticker attached>

2. Reassemble the previously removed sun shield.



<Fig. 15. Assembling the sun shield>

Completion

The image of repainting complete.



<Fig. 16. Repainting complete>

Head Office

6, Pangyo-ro 319 beon-gil, Bundang-gu, Seongnam-si,
Gyeonggi-do, 463-400 Rep. of KOREA
Tel : +82.70.7147.8753 Fax : +82.31.8018.3740
www.hanwhavision.com

Hanwha Vision America

500 Frank W. Burr Blvd. Suite 43 Teaneck, NJ 07666
Toll Free +1.877.213.1222 Direct +1.201.325.6920
Fax +1.201.373.0124
www.hanwhavisionamerica.com

Hanwha Vision Europe

Heriot House, Heriot Road, Chertsey, Surrey, KT16 9DT, United Kingdom
Tel +44.1372.235663 Fax +44.1932.57.8101
www.hanwhavision.eu

Hanwha Vision Vietnam Hanoi Office

28th Floor, Handico Building, Pham Hung Street, Me Tri ward,
Nam Tu Liem District, Hanoi City, Vietnam
Tel : +84.91.982.40.88
<http://hanwhavision.com>
